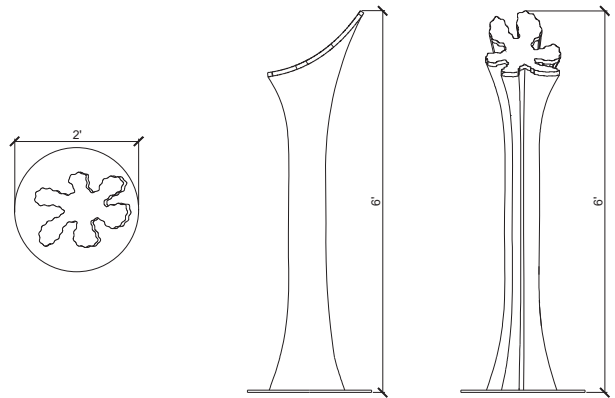


HAMMER
FLOOR LAMP



DIMENSIONS - 2'Ø X 6'ht

MATERIAL - Foam Concrete

BASE PLATE - Concrete

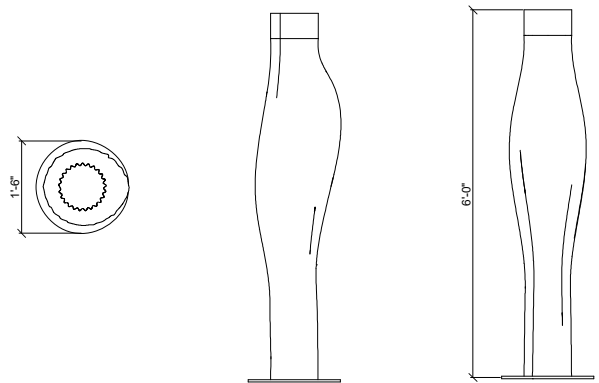
COLOUR - Bone White

CCT - 3000K

WEIGHT - 20 Kg

CORALLITE

POLYP
FLOOR LAMP



DIMENSIONS - 1'5"Ø X 6'ht

MATERIAL - Foam Concrete

BASE PLATE - Concrete

COLOUR - Bone White

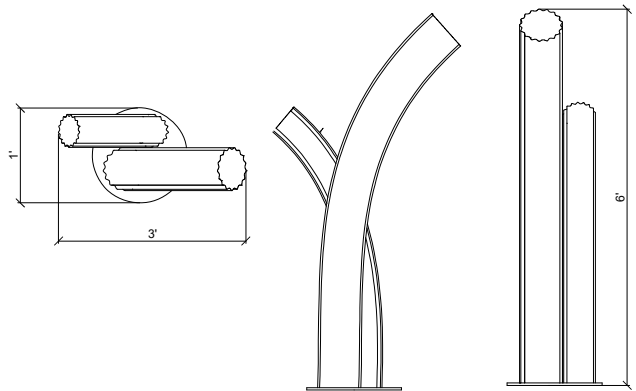
CCT - 3000K

WEIGHT - 20 Kg

CORALLITE

STAGHORN

FLOOR LAMP



DIMENSIONS - 3' X 1'6" X 6'ht

MATERIAL - Foam Concrete

BASE PLATE - Concrete

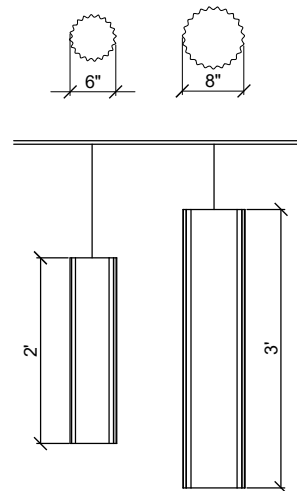
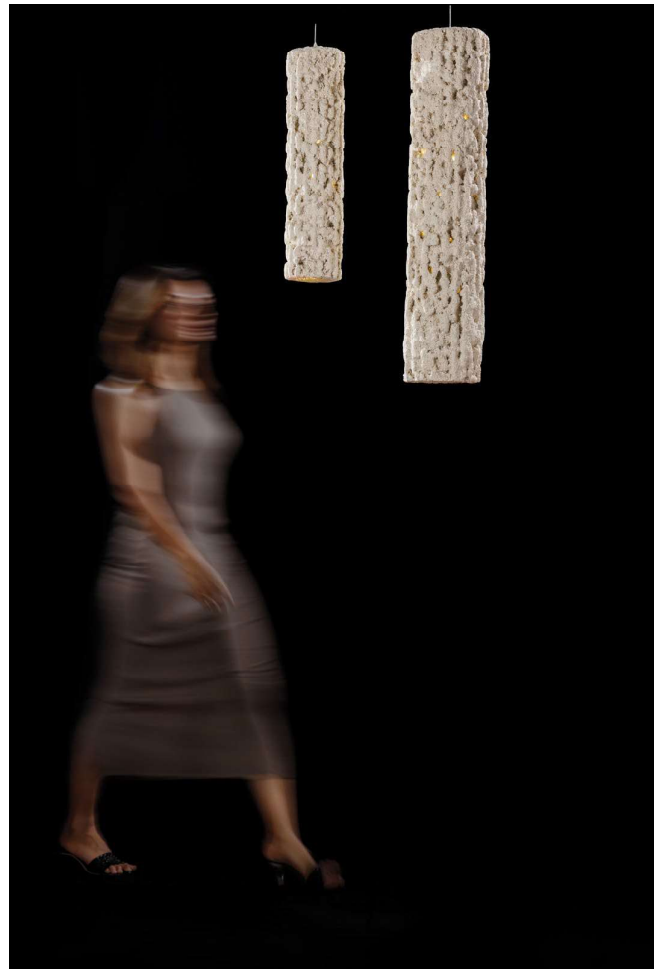
COLOUR - Bone White

CCT - 3000K

WEIGHT - 20 Kg

CORALLITE

ELKHORN
SUSPENDED LAMP



ELKHORN-1

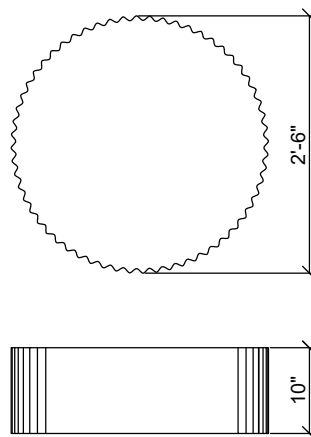
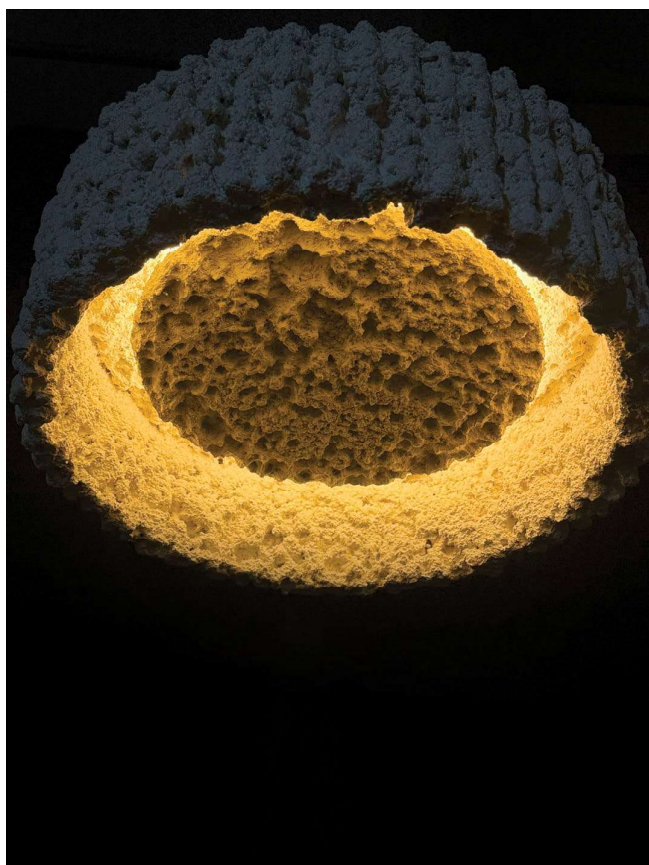
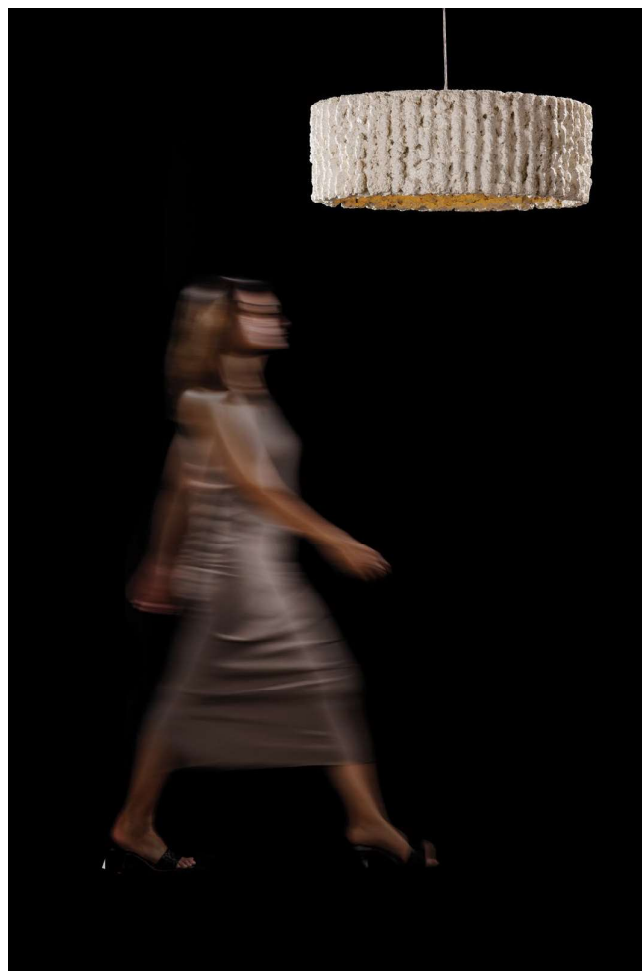
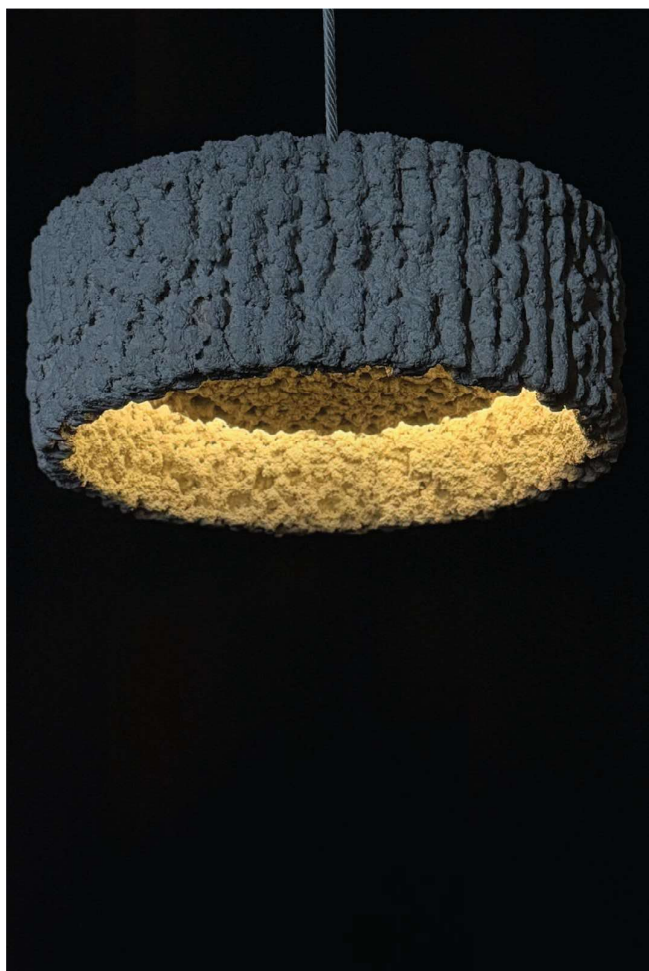
DIMENSIONS - 6"Ø X 2'ht
MATERIAL - Foam Concrete
BASE PLATE - Concrete
COLOUR - Bone White
CCT - 3000K
WEIGHT - 8 Kg
SUSPENSION - Steel Cable

ELKHORN-2

DIMENSIONS - 8"Ø X 3'ht
MATERIAL - Foam Concrete
BASE PLATE - Concrete
COLOUR - Bone White
CCT - 3000K
WEIGHT - 6 Kg
SUSPENSION - Steel Cable

BOULDER

SUSPENDED LAMP



DIMENSIONS - 6"Ø X 2'ht / 8"Ø X 3'ht

MATERIAL - Foam Concrete

BASE PLATE - Concrete

COLOUR - Bone White

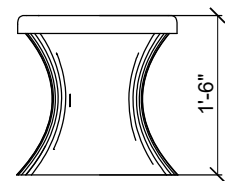
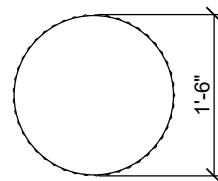
CCT - 3000K

WEIGHT - 8 Kg

SUSPENSION - Steel Cable

CORALLITE

MUSHROOM STOOL



DIMENSIONS - 1'6"Ø X 1'6"ht

MATERIAL - Foam Concrete

BASE PLATE - Concrete

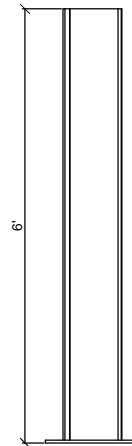
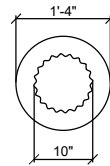
COLOUR - Bone White

CCT - 3000K

WEIGHT - 8 Kg

CORALLITE

GROOVES
FLOOR LAMP



DIMENSIONS - 1'4" Ø x 6' ht

MATERIAL - Foam Concrete

BASE PLATE - Concrete

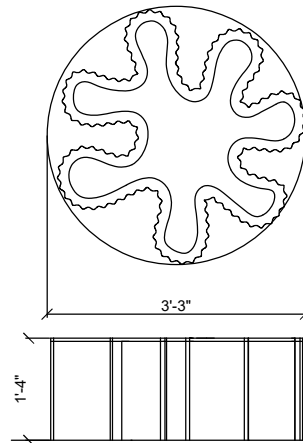
COLOUR - Bone White

CCT - 3000K

WEIGHT - 20 Kg

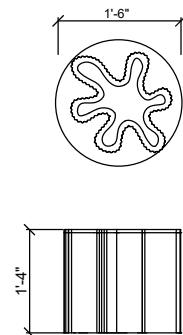
CORALLITE

STARLET
TABLE LAMP



STARLET-1

DIMENSIONS - 3'3"Ø X 1'4" ht
MATERIAL - Foam Concrete
BASE PLATE - Concrete
COLOUR - Bone White
CCT - 3000K
TOP - Toughened Glass
WEIGHT - 18 Kg



STARLET-2

DIMENSIONS - 1'6"Ø X 1'4"ht
MATERIAL - Foam Concrete
BASE PLATE - Concrete
COLOUR - Bone White
CCT - 3000K
TOP - Toughened Glass
WEIGHT - 12 Kg

PROJECT DETAILS

Collection Name: CORALLITE By Sanjay Puri

Architect: Sanjay Puri Architects

Lead Architect: Sanjay Puri

Design Team: Madhavi Belsare, Subodh Amin

Photo credits: Mr. Arpit Patel (<https://www.arpitpatelphotography.com/>) in case required.

Manufacturer: FlexStone

Material: Foam concrete (FEFS Board)