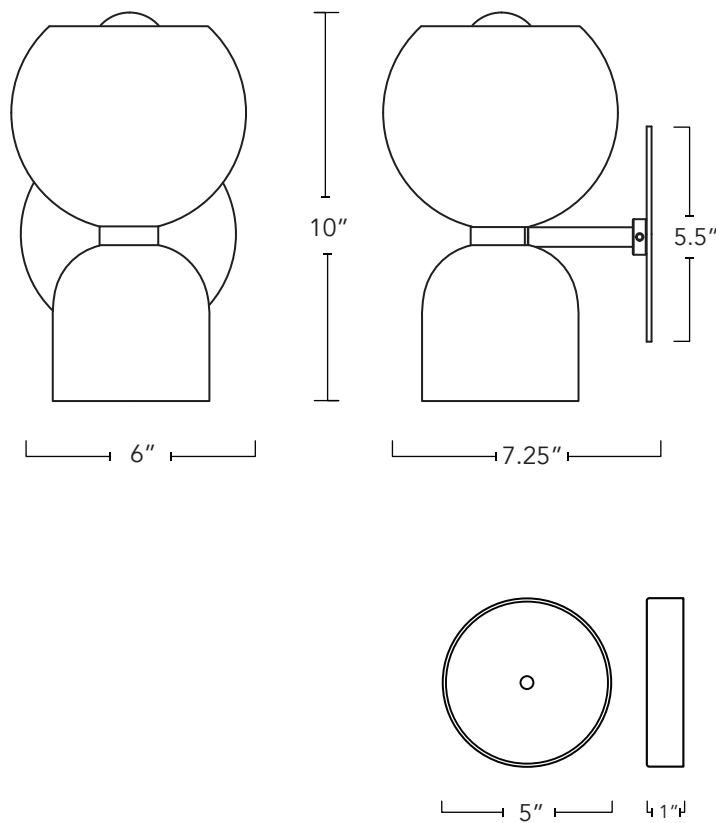




Pictured in Vintage Brass with Sandblasted Opal & Pink glass

## SWEETIE SCONCE

With the intersection of pure shapes and bold color, Sweetie uses influences from early modernism. Bold proportions contrast with the subtlety of hand-blown sandblasted glass.



\*Alternative 5" diameter,  
1" deep back-plate available.

<b>Type</b>	Wall Sconce
<b>Dimensions</b>	Height: 10" Width: 6" Depth: 7.25"
<b>Weight</b>	3.4 lb / 1.6 kg
<b>Materials &amp; Finish</b>	Solid brass components with hand blown glass. Made by hand in Toronto, Canada  Finish: Vintage Brass Glass Colors: Sandblasted Opal & Pink Sandblasted Opal & Blue
<b>Illumination</b>	Voltage: 120V Socket type: E12, Candelabra  Incandescent: G16.5 Globe in Gloss White 2 X 40W for a total of 80W 2 X 330 lumens for a total of 660 lumens 2700K Color Temperature or LED: G16 Globe in Milky White 2 X 4W for a total of 8W 2 X 350 lumens for a total of 700 lumens 2700K Color Temperature / Dimmable
<b>Lead Time</b>	4 to 8 Weeks

**Certification** 