

# BLT MENU FOR THE COLLECTION: BRIGHT LIGHT, NEW THINGS, LITTLE TWIST & CONFETTI

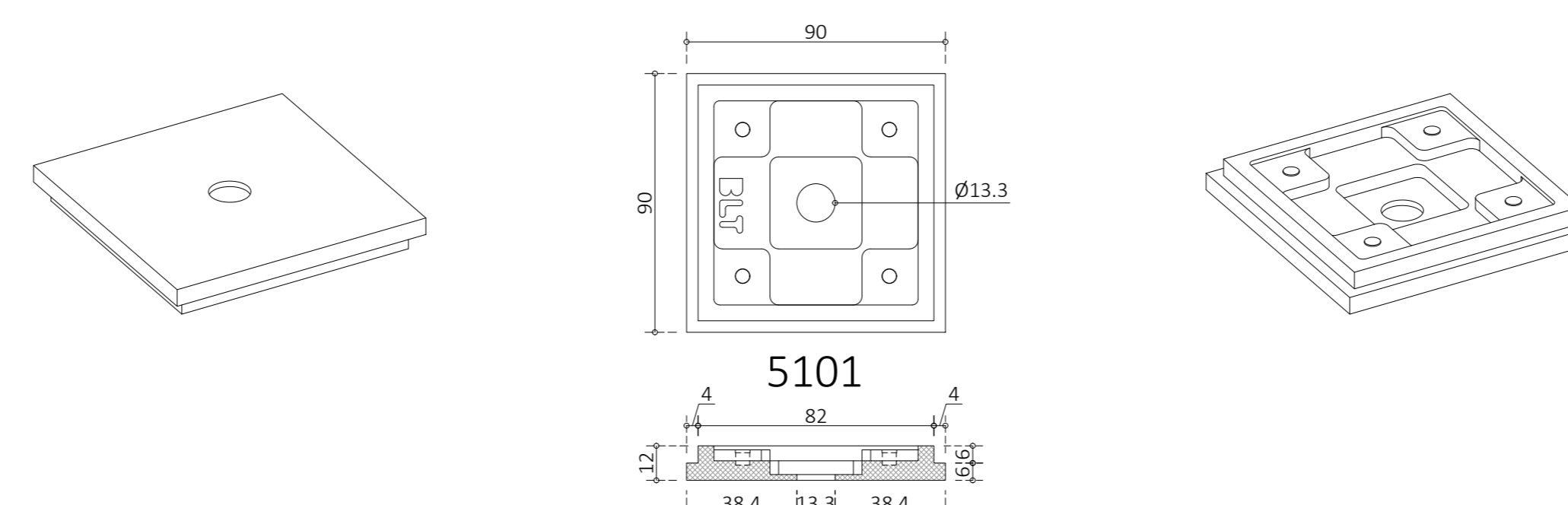
## BLT RECIPE for finishing parts in solid surface

BLT manufactures finishing parts in solid surface for switchgear. The foundation of the collection is formed by the universal model 5101 [adaptable to multiple finishing parts], which fits many existing stainless steel built-in components of renowned brands for rotary dimmers. Model 5101 is also used for (pulse) switches as well as rotary dimmers and accommodates five different models of buttons for both functions. One design controls various built-in components and buttons.

The power outlets and USB ports are seamlessly integrated into the finishing part, appearing as mere perforations. All BLT finishing parts consist of a single piece, including the buttons. The finishing parts are secured to the stainless steel built-in components by magnets.

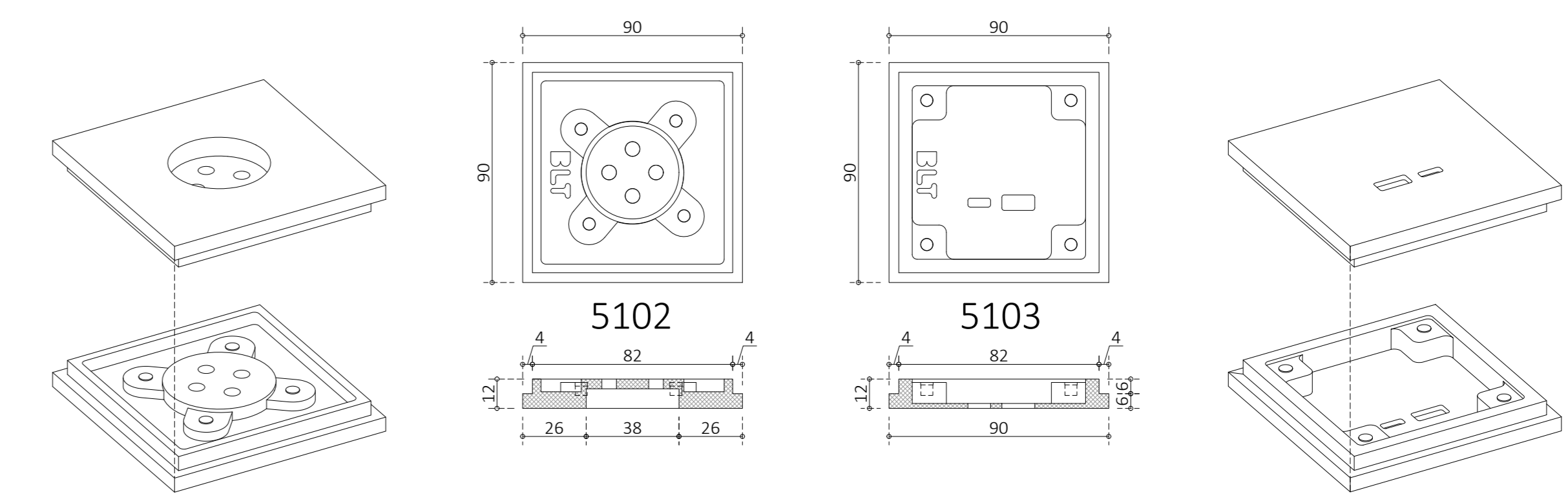
Additionally, to top it off, you can create your own switching material with the BLT configurator on the BLT website.

## BASE COVER PLATE 5101 FOR SWITCH & DIMMER

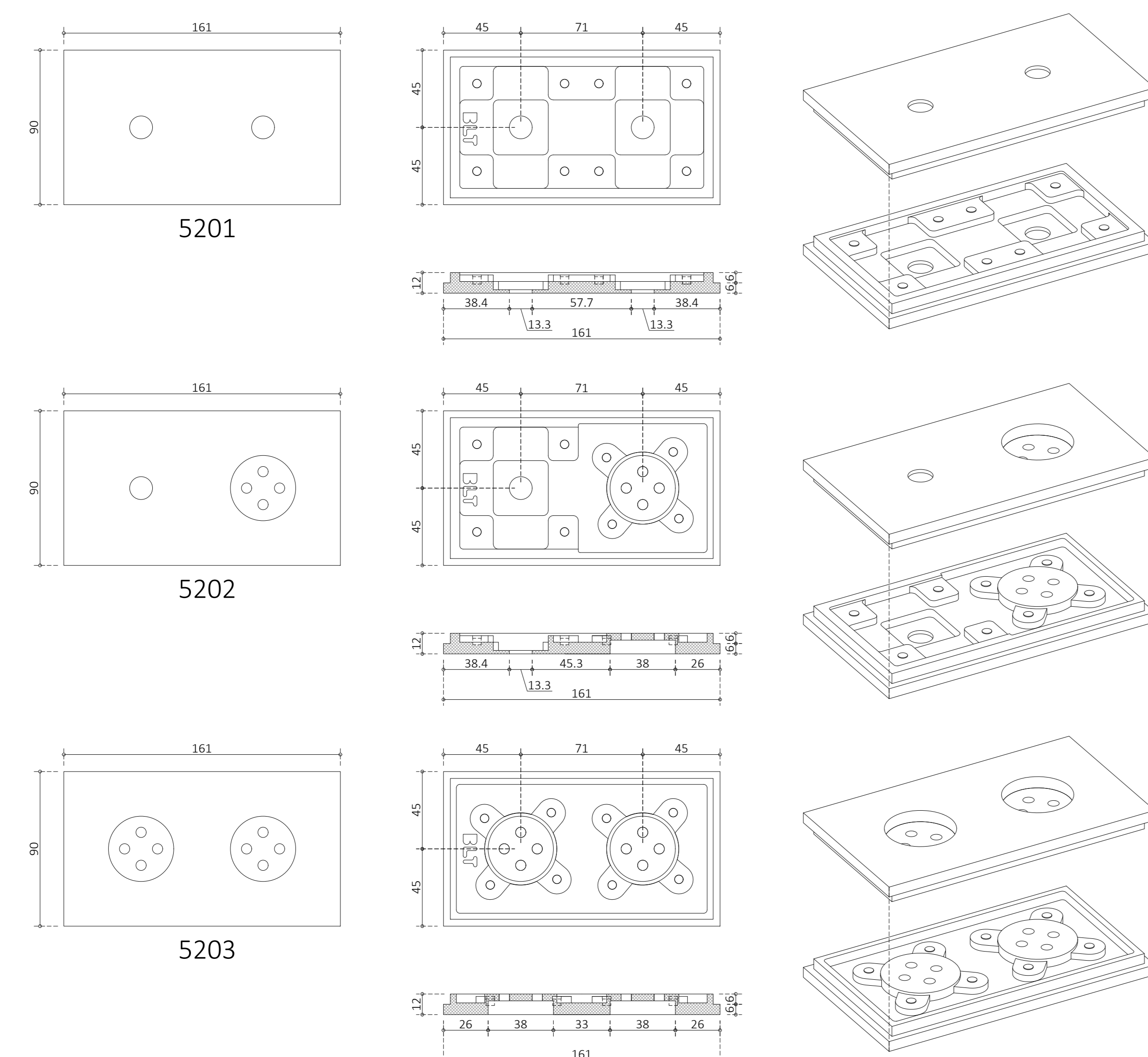


\* Suitable for all BLT models of dimmers, switches, and pulse switches

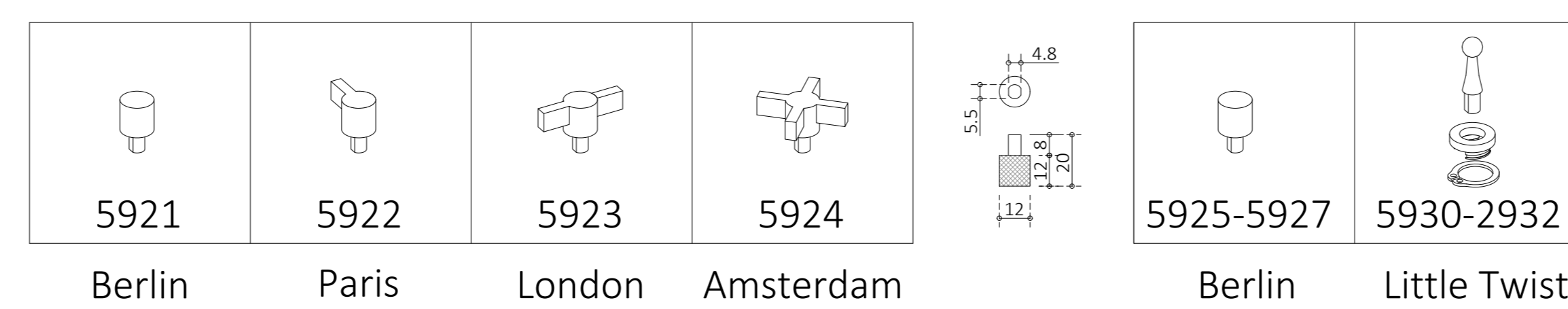
## POWER OUTLET & USB OUTLET



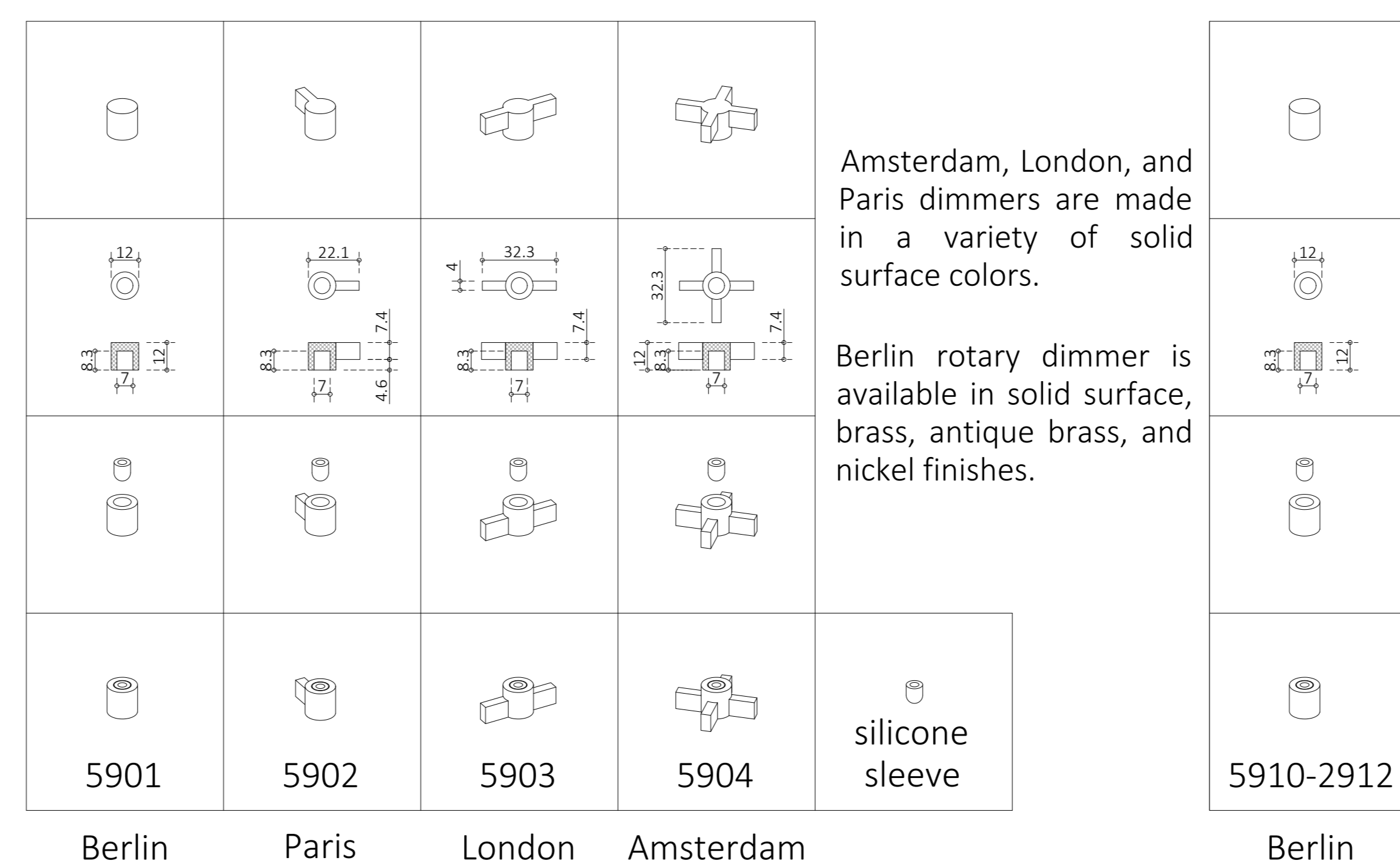
## DUAL-FUNCTION FINISHING COMPONENT



## SWITCHES & PULSE SWITCHES solid surface alloys

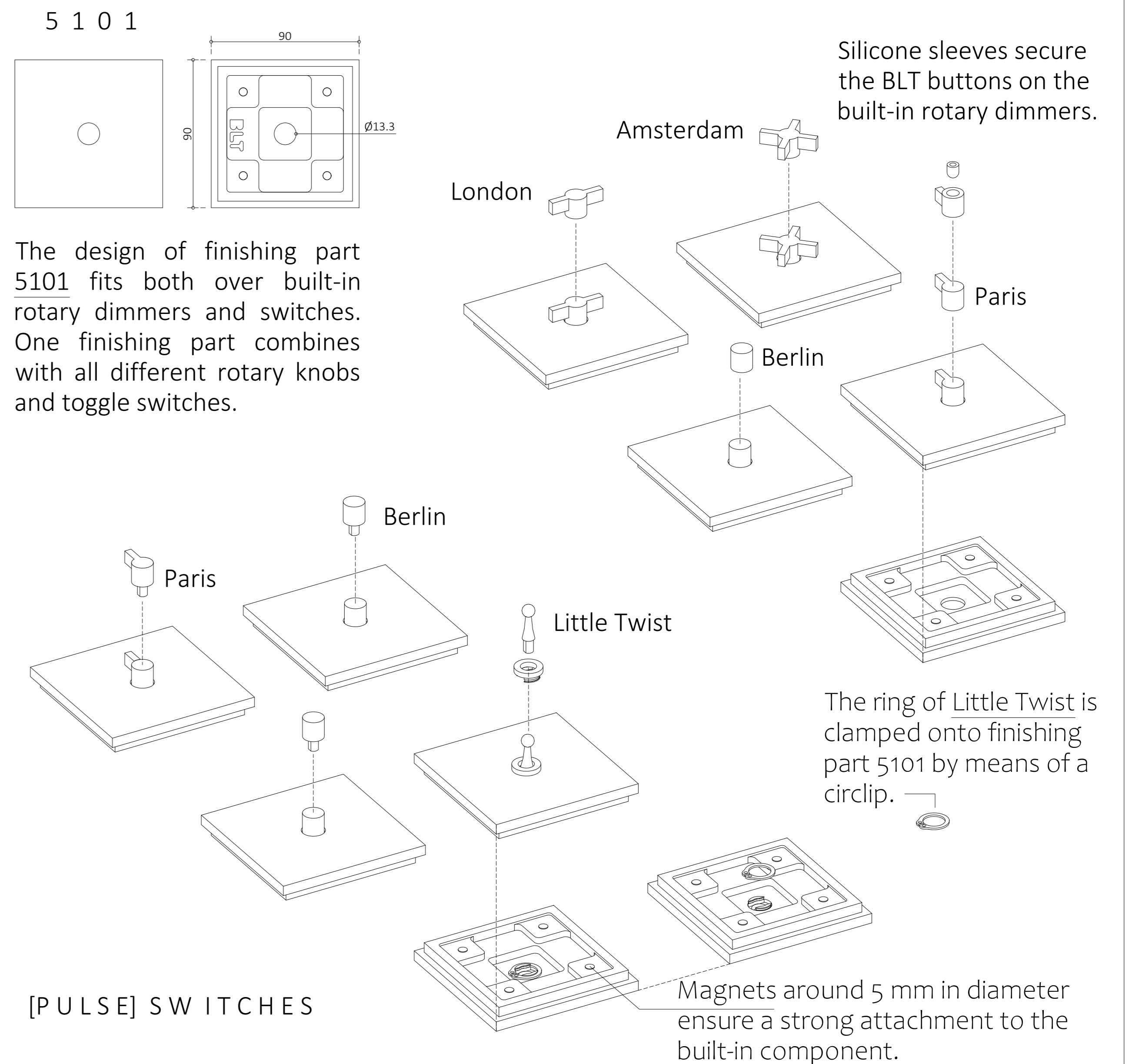


## ROTARY DIMMERS solid surface alloys



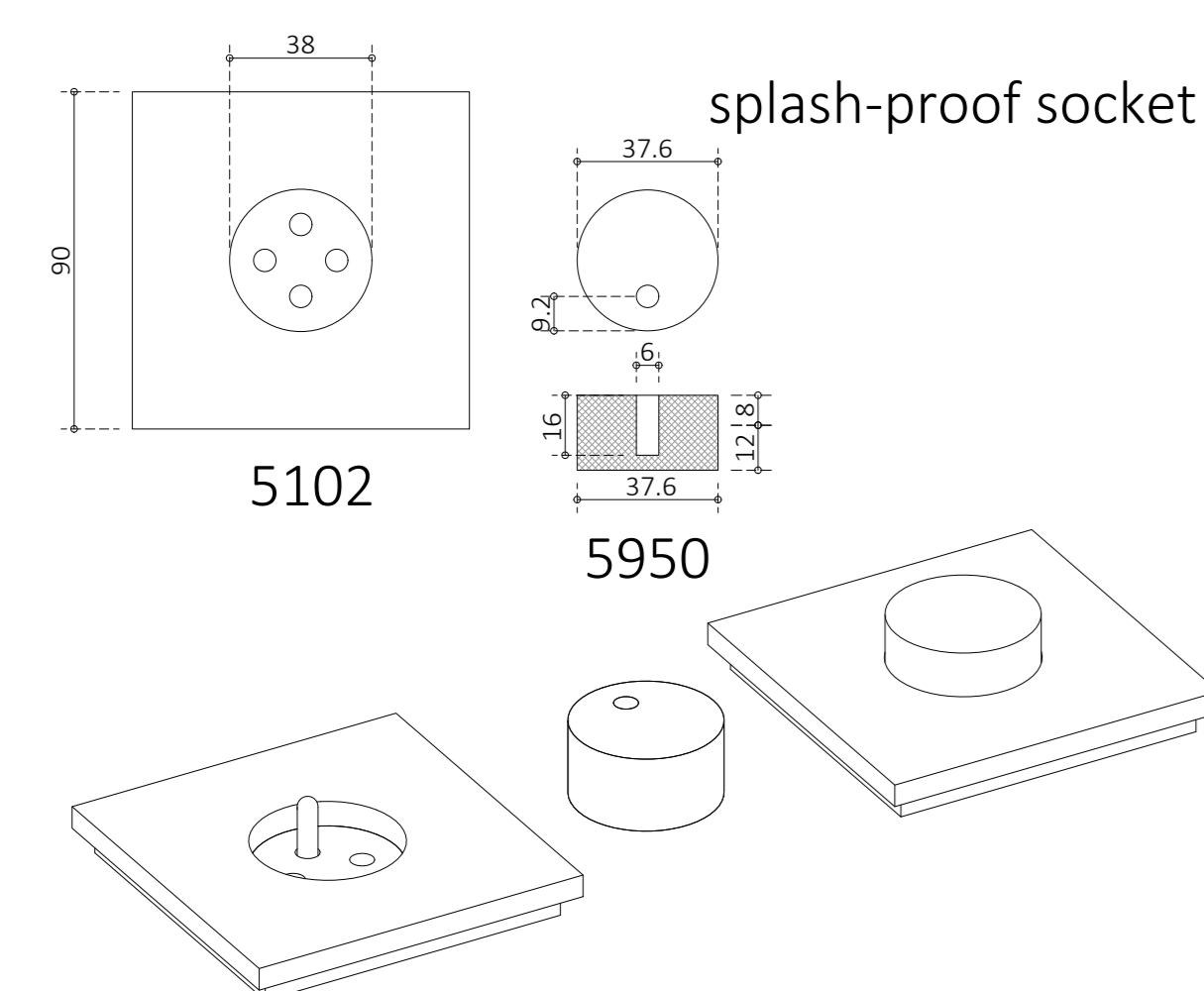
\* Compatible with most reputable brands of stainless steel rotary dimmers

## ROTARY DIMMERS

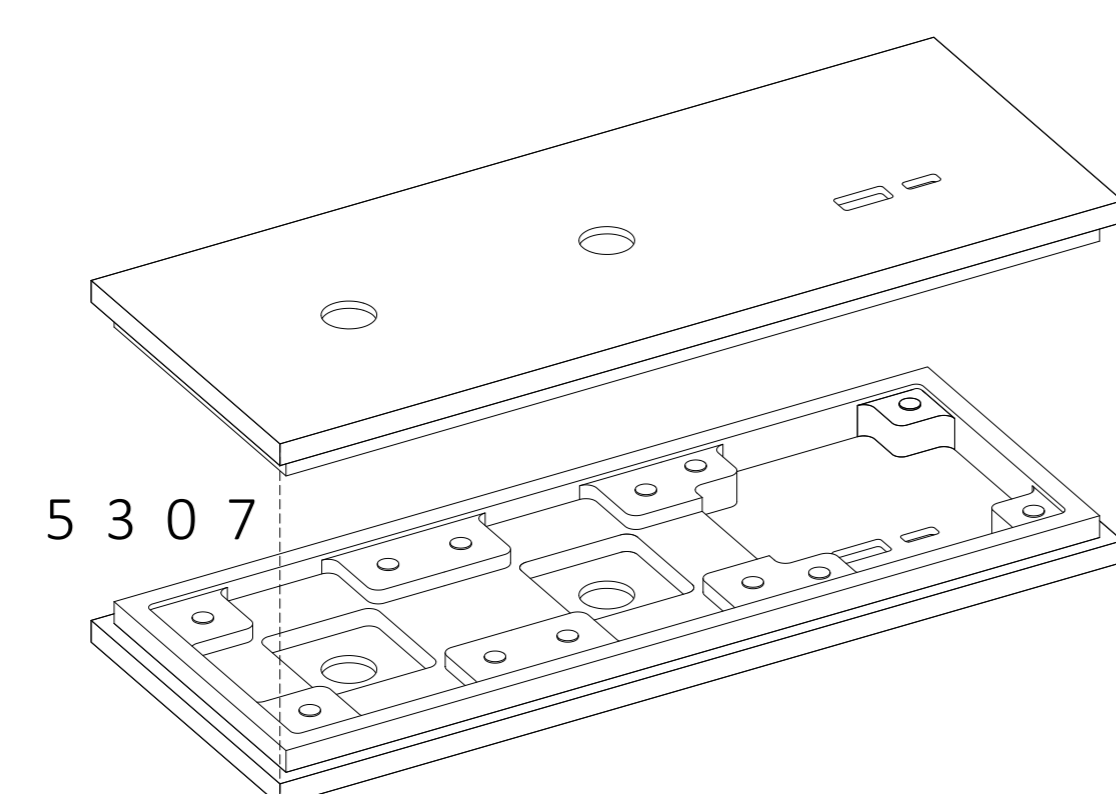


[PULSE] SWITCHES

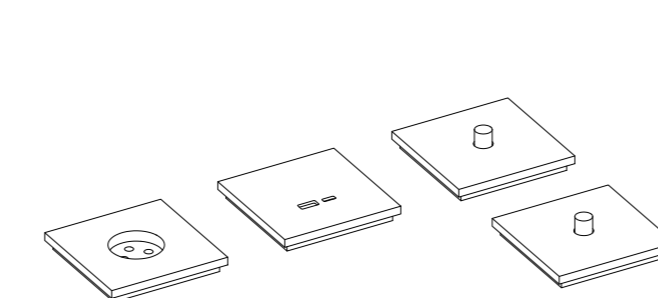
## splash-proof socket



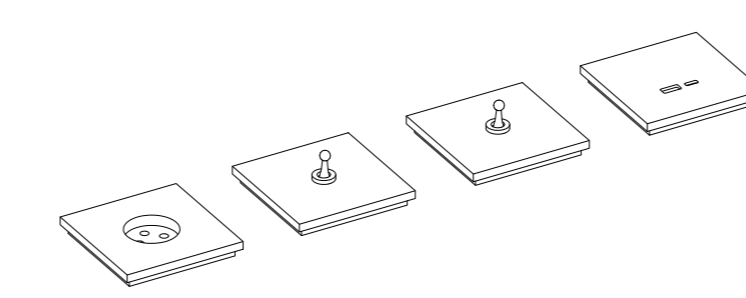
## principle of multiple components



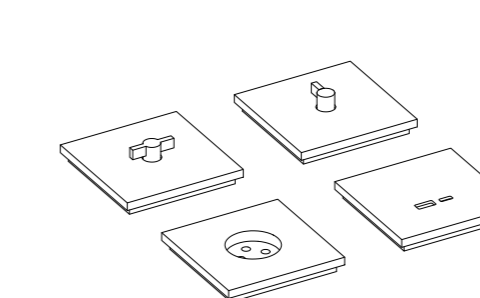
## THE RECIPE TRANSLATED INTO A COLLECTION:



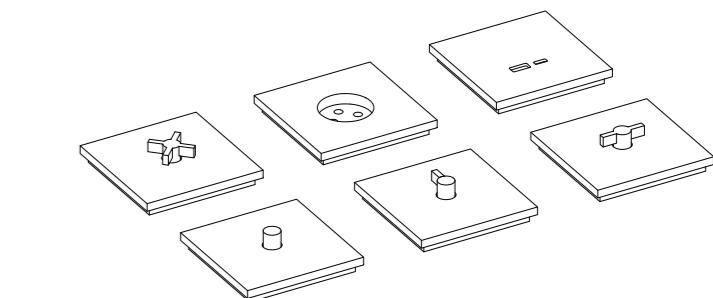
Bright Light is our minimalist design for well-known rotary dimmers with large knobs. Compatible with major brands, Bright Light allows you to simply replace the finishing part. To switch, use the Berlin switch knob.



Little Twist switches and dimmers have the same appearance, ensuring there's no visible difference between your switch and dimmer. The buttons are available in nickel, polished brass, and antique brass.



New Things features a distinctive button design – refined, sleek, and bold. Marble-patterned cover plates with rotary dimmers and switches in tone-on-tone or contrasting designs.



Confetti combines all Solid Surface rotary dimmers and switches in vibrant colors with sleek white cover plates. Whether it's a subtle or vivid statement, it's all about the button!