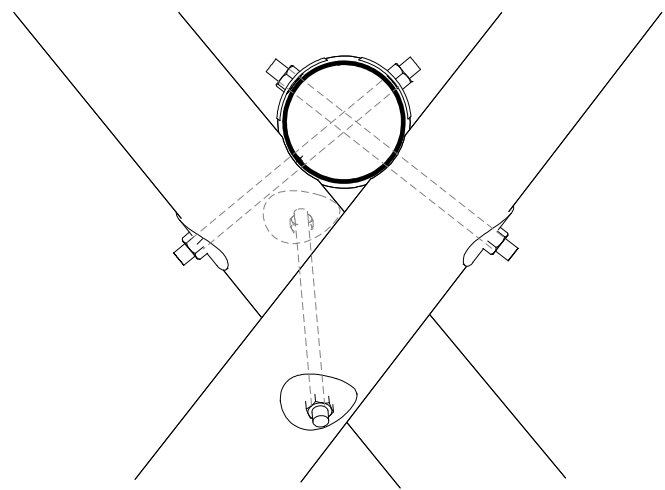
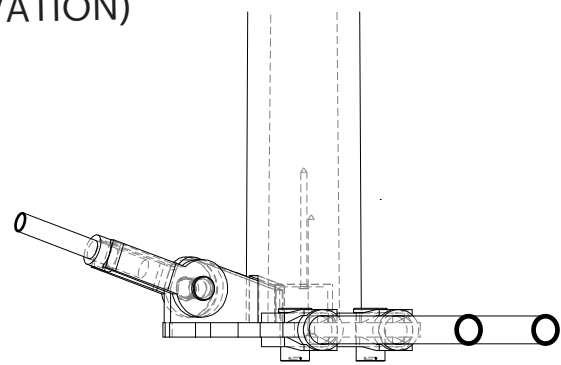


CONSTRUCTION DETAILS

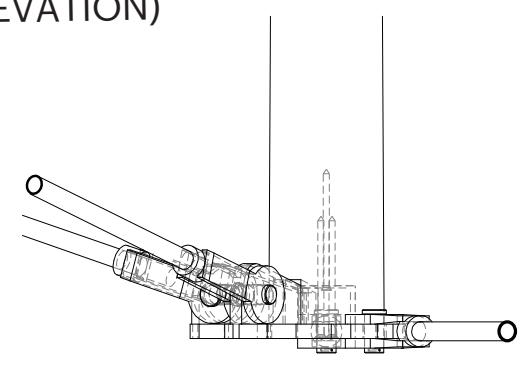
TRIPOD
CONNECTION



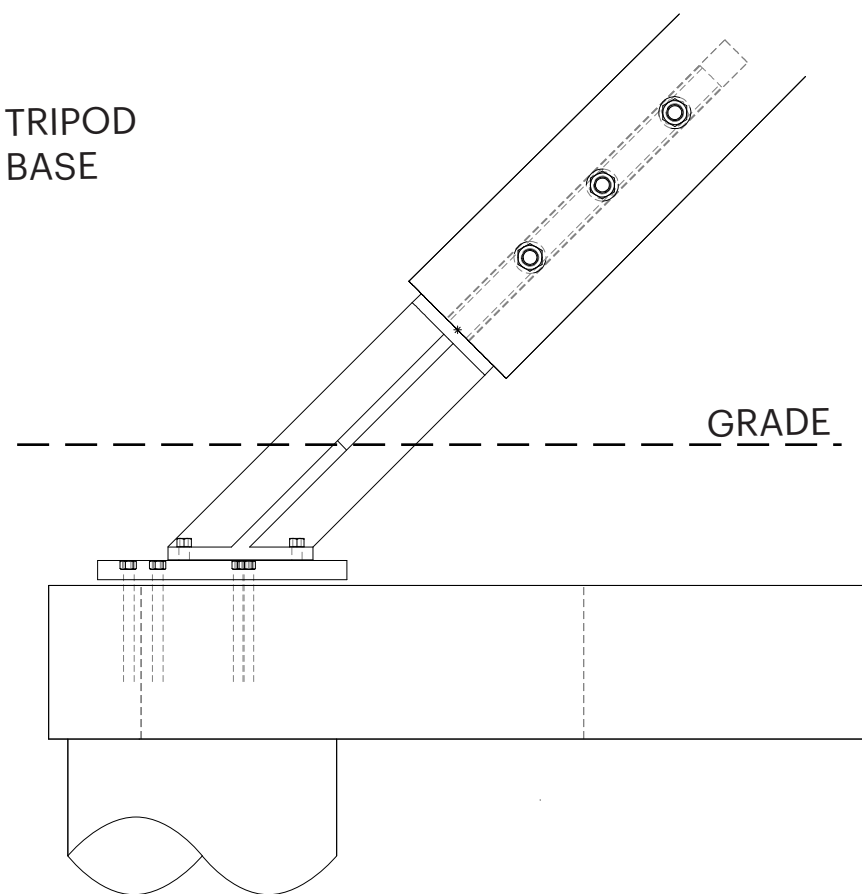
OUTER
STRUT BASE
(ELEVATION)



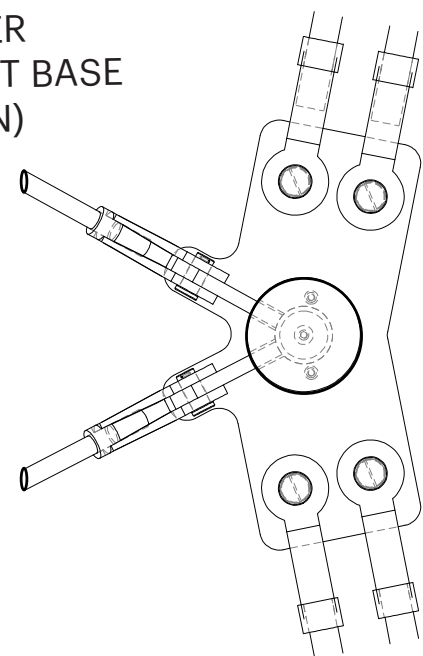
TYPICAL
STRUT BASE
(ELEVATION)



TRIPOD
BASE



OUTER
STRUT BASE
(PLAN)



TYPICAL
STRUT BASE
(PLAN)

